

WARNING

INSTALLATION OF THIS PRODUCT NEAR POWER LINES IS DANGEROUS.

FOR YOUR SAFETY, FOLLOW THE INSTRUCTION DIRECTIONS

HUSTLER COLLINEAR TWO METER FIXED STATION ANTENNA MASTER GAINER TM MODEL G6-144B

FCC accepted for Repeater application at 6 db gain based on EIA Standard RS-329; gain compared to 1/2 wave dipole.

INSTALLATION INSTRUCTIONS:

1. Check package contents against illustration to insure all items are included.
2. Refer to Figure 1 and install the four radials. This is most easily accomplished by inserting the four #5180-3 screws two to three turns into the #5328 cast aluminum base. Note the clockwise direction and install all radials before tightening the four screws. Hold the base assembly in a vertical position while installing radials. Install red tips on ends of radials.
3. Attach the phasing coil and upper radiator to the lower radiator and base assembly. Tighten the assemblies securely.
4. Mount the antenna on a 1" to 1 3/4" diameter mast with the "U" bolts supplied.

TUNING INSTRUCTIONS

After the assembly is complete, install a dependable watt meter at or near the feedpoint of the antenna. The G6-144B utilizes a 5/8 wave lower and a 5/8 wave upper collinear radiator which has been spaced for optimum low angle radiation.

Apply power to the antenna on or near the center of the frequency range to be used. Reference: See last paragraph. Loosen the clamp of the bottom radiator only and adjust the length until the lowest reflected power or SWR is obtained. Secure this clamp. If it is desired to further minimize the reflected reading, loosen the clamp of the top radiator and adjust this length until the lowest possible reading is obtained. Adjustment increments should be in steps of no more than 1/2 inch.

Secure all hardware and clamps.

Before final installation, if desired, coat the entire antenna with the exclusion of the rf connector with a good grade of clear acrylic such as "Krylon".

The total useable bandwidth is more than 2MHz under 1.5:1 without degradation of gain which makes this antenna ideal for duplex operation.

When using some other frequency in that range, add or subtract 1/4" from each "X", "Y" and "Z" dimension for each 0.5 MHz lower or higher change in frequency, respectively.

NEWTRONICS ANTENNA CORP. LIMITED WARRANTY

Hustler Inc. warrants its products to be free of defects in material and workmanship and extends this warranty under intended use and normal service conditions to the original owner for a period of one year from the date of purchase. This warranty does not apply to any product that has been repaired or altered in any manner and is void for any damage to accident, neglect, unreasonable use, improper installation or any other cause not arising out of defects in material or workmanship.

The obligations of Hustler Inc. are limited to repairing or replacing, at its option, any product or part that is returned to the factory all transportation charges prepaid, accompanied by proof of purchase and which examination reveals to have been defective within the warranty period stated above.

Hustler Inc. does not assume, nor is any person authorized to assume for it, any obligation other than that herein stated. Any implied warranties, including but not limited to fitness for a particular purpose, are limited in duration for the above one year period.

Hustler Inc. shall not be liable under this warranty, or any implied warranty, for loss of use of the product or for other consequential loss or damage incurred by the purchaser.

Some states do not allow the exclusion or limitation of implied warranties or consequential damages and so the above exclusion of limitations may not apply. This warranty gives you special legal rights and you may have other rights that vary from state to state.

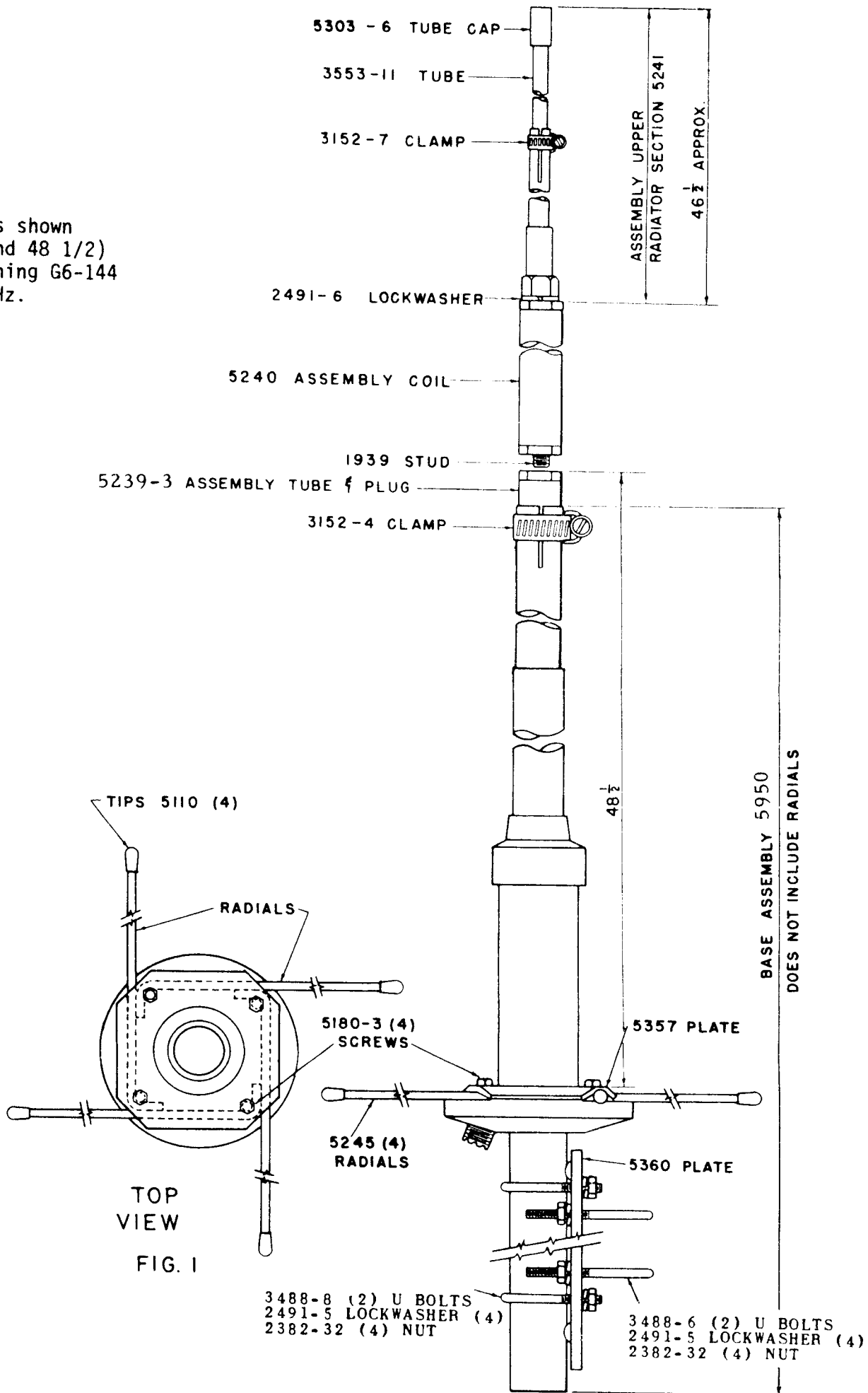
G6-144B



One Newtronics Place

Mineral Wells, Texas 76067

The lengths shown
 (46 1/2, and 48 1/2)
 are for tuning G6-144
 to 146.5 MHz.



G6-144B

6078-1